

60W AC-DC POWER ADAPTER

MODEL: WALL-MOUNTED KT60W SERIES(CN HORIZONTAL PLUG)



WWW.HRCPOWER.COM

KEY FEATURES

- Universal AC Input 90~264VAC
- EMC Standard: EN55022 Class B and CISPR/FCC Class B
- Meet CEC & ErP Level VI
- Continuous Short Circuit Protection
- Overload Protection
- Over Voltage Protection
- Over Temperature Protection
- High Reliability
- Compact Design



SPECIFICATION

• OUTPUT

| | | |
|---------------------------------|---|----------|
| DC Voltage note.2 | 9.0-15V | 15.1-48V |
| Rated Current | 6.67A | 4.3A |
| Current Range | 0-6.67A | 0-4.3A |
| Rated Power(max.) | 60W | 65W |
| Ripple&Noise(max.) note.3 | 150mV | 150mV |
| Voltage Tolerance note.4 | ±5% | ±5% |
| Line Regulation note.5 | ±1% | ±1% |
| Load Regulation note.6 | ±5% | ±5% |
| Start Delay, Rise, Hold up time | ≤5000ms, 25ms, 5ms@230Vac / ≤5000ms, 25ms, 5ms@115Vac | |

• INPUT

| | | |
|-----------------------|-------------------------------|------|
| Voltage Range | 90Vac ~ 264Vac | |
| Frequency Range | 47 ~ 63Hz | |
| Efficiency(Typ.) | ≥88% | ≥88% |
| AC Current | 1.6A/ 240VAC | |
| Inrush Current (max.) | cold start @25°C 120A/ 240VAC | |
| Leakage Current(max.) | ≤0.75mA/ 240VAC | |

• PROTECTION

| | |
|--------------------------|---|
| Short Circuit Protection | support protection type : Hiccup mode, recovers automatically after fault condition is removed |
| Over Voltage Protection | 105 ~ 135% rated output voltage protection type : Hiccup mode, recovers automatically after fault condition is removed |

2 | WALL-MOUNTED KT60W SERIES

● PROTECTION

| | |
|-------------------------|--|
| Overload Protection | 110 ~ 150% rated output power, protection type : Hiccup mode, recovers automatically after fault condition is removed |
| Over current Protection | output power over 102%—250% of all rated DC output |

● ENVIROMENT

| | |
|---------------------|--|
| Working Temperature | 0 ~ +40℃ |
| Working Humidity | 5% ~ 90% RH non-condensing |
| Storage Temperature | -20 ~ +80℃ |
| Storage Humidity | 5% ~ 90% RH non-condensing |
| Vibration | working: 10-250Hz, 0.25G peak to peak, X, Y, Z axes,15min sweep storage: 10-300Hz,2.0G peak to peak, X, Y, Z axes,15min sweep |
| Altitude | 5000m |
| MFBF | MIL-HDBK-217F(25), GB, at 25℃/115VAC, 50Khrs. |

● SAFETY&EMC

| | |
|-----------------------------|---|
| Safety Standard | IEC/EN 60950,IEC/EN 60065 IEC/EN 60335;UL-1310; UL 60950; K-60950; J-60950;AS/NZS 60335, AS/NZS 60065,AS/NZS 60950GB 4943 |
| EMC Emission & EMC Immunity | EN 55032;EN 55035;EN 55014 EN 61000;AS/NZS CISPR 32;AS/NZS CISPR 32;AS/NZS CISPR 14;KN 32; KN 35;ICES-003;GB9254;GB17625 |
| Withstand Voltage | Primary(input AC)-to-Secondary(output DC), 1500 Vac, 10mA, 1 minute |

● OTHERS

| | |
|------------------|-----------------------------------|
| Dimension | 100.7mm(L) x50.2mm(W) x 39.3mm(H) |
| Weight&Packaging | 217g/pc, 96pcs/carton |

Note:

1. All parameters are specified at 230VAC input, rated load, 25℃ 70%RH ambient.
2. The output voltage set at point measure by plug terminal&60% load.
3. Ripple noise are measured at 20MHZ by using a 12" twisted pair terminated with a 0.1uf&10uf capacitor.
4. Tolerance: includes set up tolerance, line regulation, load regulation.
5. Line regulation is measured from low line to high line at rated load(100V to240V).
6. Load regulation is measured from 60% to 100% rated load and 60% to 20% rated load.

SPECIAL INSTRUCTION

Please keep reading the following safety notes before use or examination.

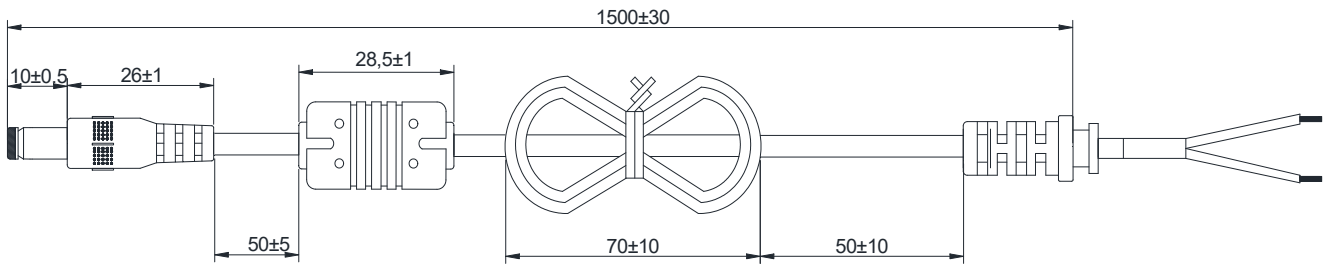
1. Primary technical specification of the marking on the product.
2. The product is used only within doors or at the dry location.
3. Don't store or use this product in the erodent condition.
4. The ambient temperature around the prod uct must be kept for room temperature because overcool can effect on the feature and working life of product.
5. The power supply applies only to the highest temperature 40 ℃, and without any covering.
6. According to the technical specification of product, it must be connected with correct power input and specified out put load or terminal appliance so that it can't be broken. Pay attention to the input voltage & frequency.
7. The disconnection from line voltage is taken by pulling the mains plug.
8. The product is not intended to be repaired by service personnel in in case of failure including component defect of crack of the enclosure and external flexible cord damaged etc, it must be discarded.
9. Fuses replaceable only by service personnel.

Output Polarity:

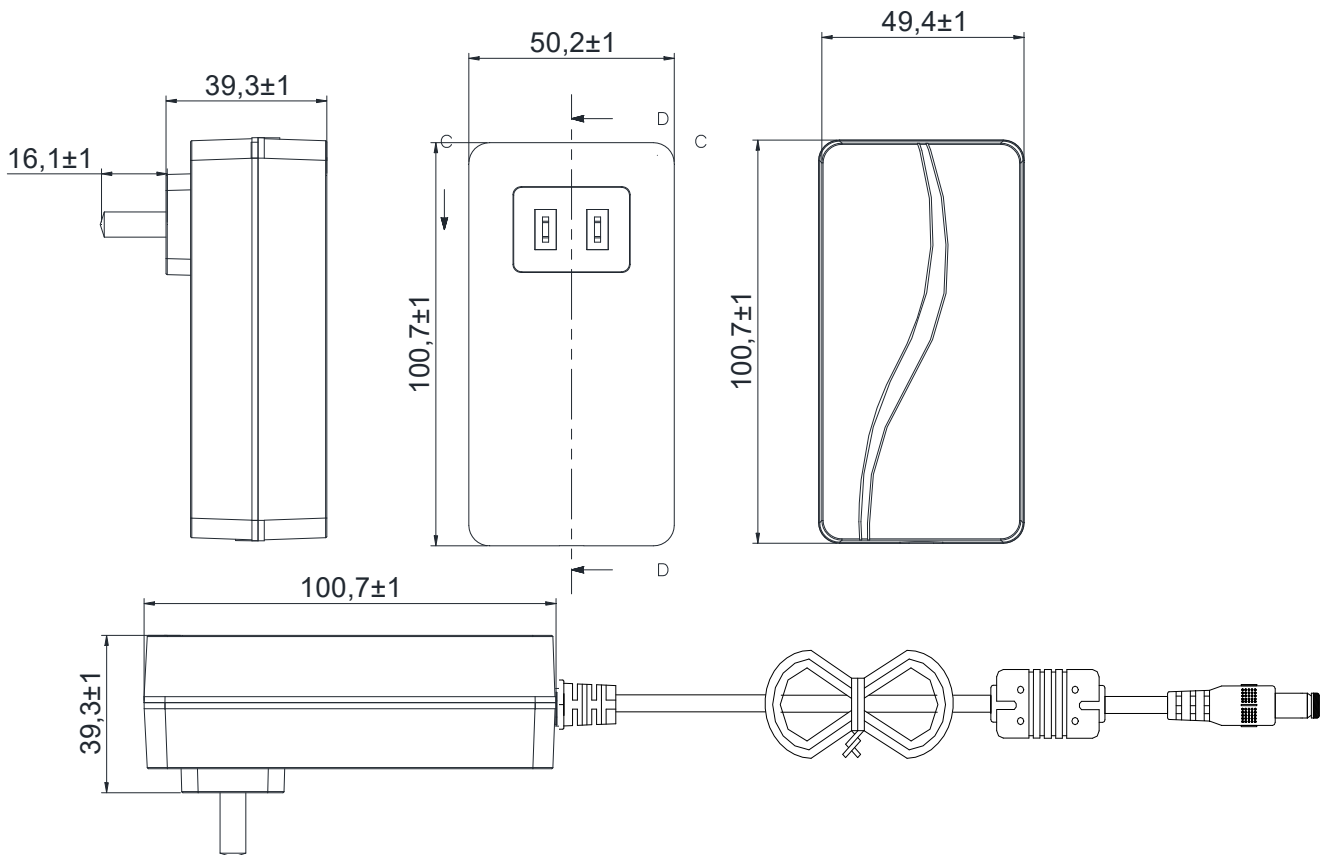


MECHANICAL SPECIFICATION

Unit:mm



- UL2468, AWG #18/22/24*2C L=1500±30mm.
- Plug, 5.5*2.1*10mm, straight tuning fork style.
- Color, black.
- With annular core.
- PAHS REACH RoHS.



- More options of DC cable&plug are available by customer requested